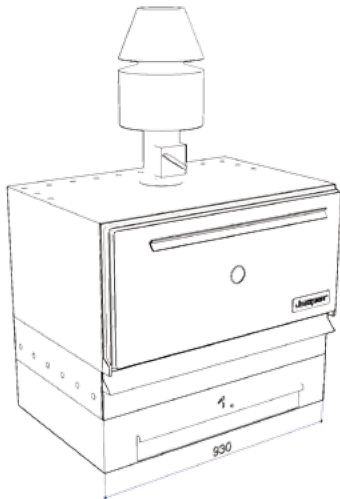
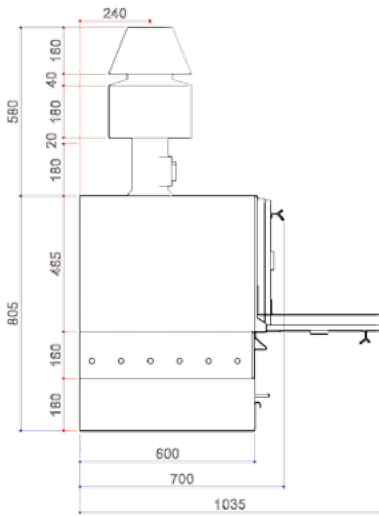




Charcoal Ovens HJX45M



TECHNICAL INFORMATION

Fire up time ¹	35 min average	35 min average
Josper charcoal daily consumption	12 a 16 kg average	26.5 lb a 35 lb average
Performance	9 h	9 h
Production per hour ²	90 kg average	198 lb average
Cooking temperature	300 °C a 350 °C	572 °F a 662 °F
Oven capacity in GN trays (per grill rack)	2 x GN 1/1	2 x GN 1/1
Power equivalence	4.5 kW	6 hp
Exhaust rate ³	3200 m ³ /h	1883 cfm
Maximum smoke flow	10.5 g/s	0.37oz/s

INSTALLATION

Recommended installation height	550 mm	from floor level	22 in	from floor level
Clearance with other cooking equipment	100 mm		4 in	

BUNDLES: SIZES AND WEIGHTS

Sizes bundle 1	1010 x 750 x 960 mm	39,8 x 29,5 x 37,8 in
Gross weight bundle 1	250 kg	551 lb

INCLUDED ACCESORIES

- Smoke outlet vent
- One cooking grill rack
- Charcoal grates
- Josper meat tongues
- Iron brush
- Poker
- Ash hatch and handle
- Ash pan

OPTIONAL ACCESORIES

- Extra cooking grill rack
- Firebreak
- Firebreak's hat
- Cookware⁴
- Tray support
- Below cabinet

- 1 Please, check our document titled "Fire up and use of the Josper oven".
- 2 Please, check our "Cookbook".
- 3 Please, check our document titled "Installation advices of the Josper oven".
- 4 Please, see our wide range of cookware in our website. [SEE MORE](#)

Ovens' sizes and weights are to be considered with the standard accesories and packing.

A continual improvement process may require us to change specifications without any notice.

Revised June 2012.